



Ork BoomBoom

Instructions



or

"Git yer own munster-bazher BoomBoom!"

Cannon covers

2x

1.



2.



3.



Lower Leg 4x

1.



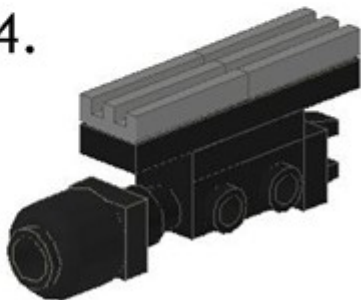
2.



3.



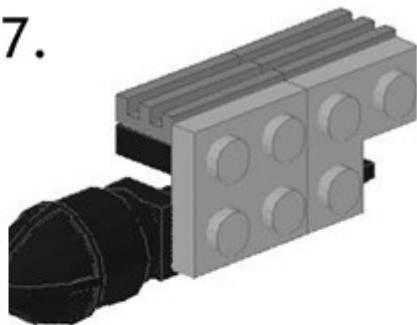
4.



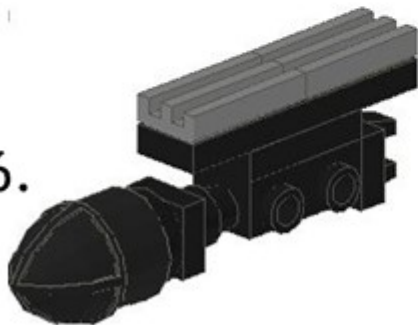
5.



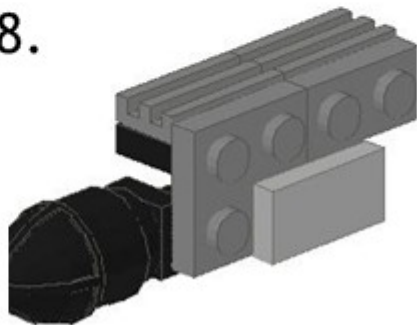
7.



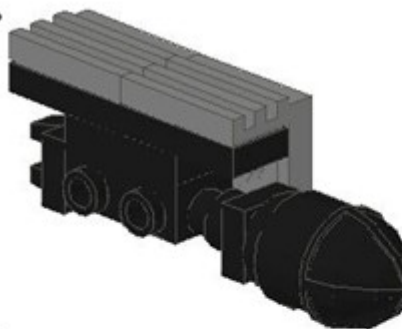
6.



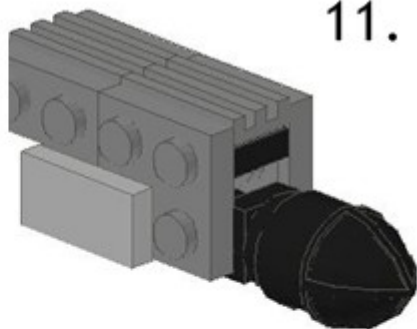
8.



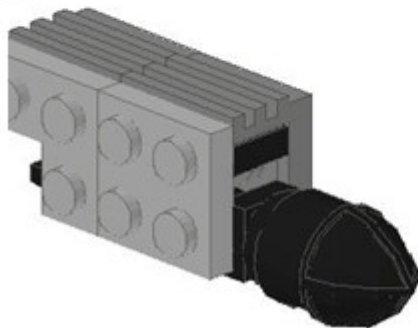
9.



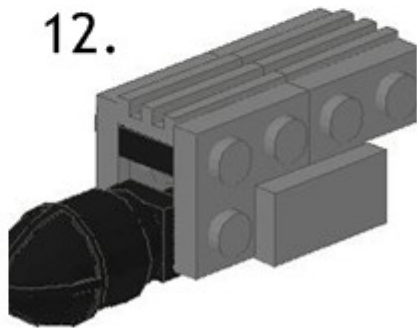
11.



10.



12.



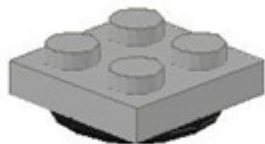
Front upper leg

2x

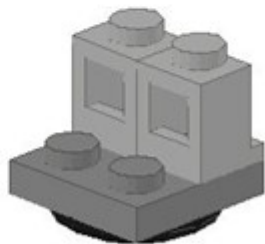
1.



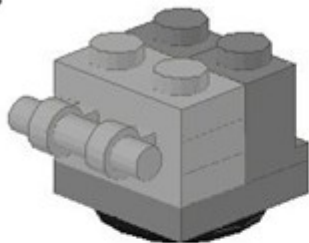
2.



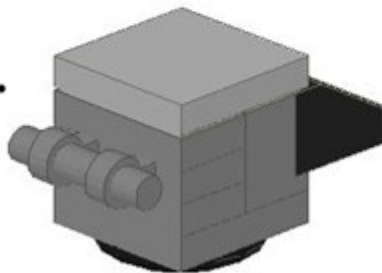
3.



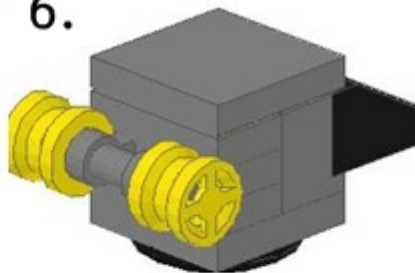
4.



5.



6.



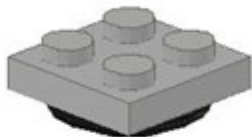
Rear upper legs

2x

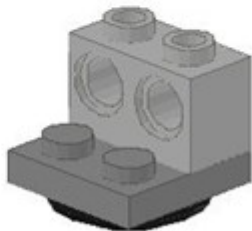
1.



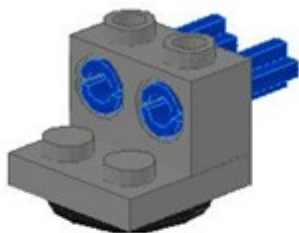
2.



3.



4.



5.



6.



7.



Cannon

1.



3.



2.



4.



5.



7.



6.



8.



9.



10.



Body

1.



2.



3.



4.



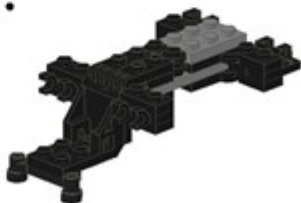
5.



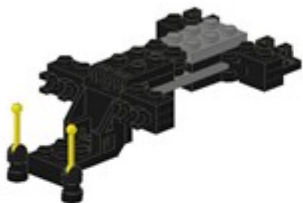
6.



7.



8.



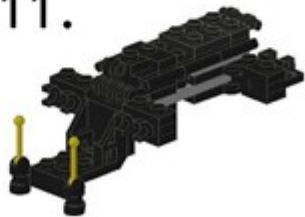
10.



9.



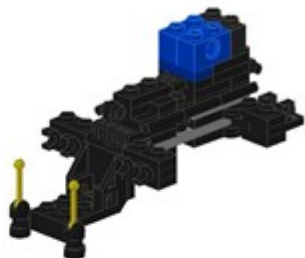
11.



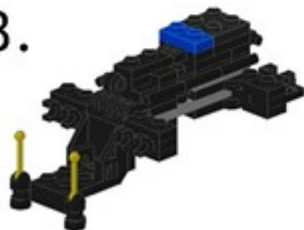
12.



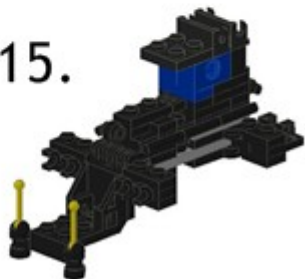
14.



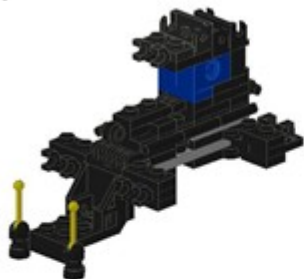
13.



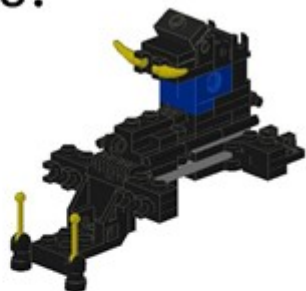
15.



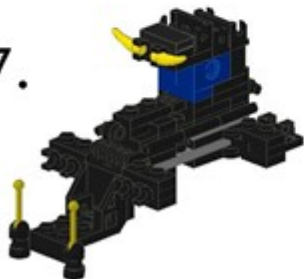
16.



18.



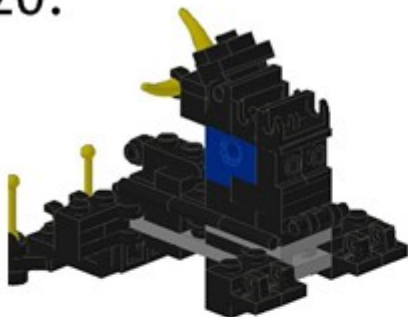
17.



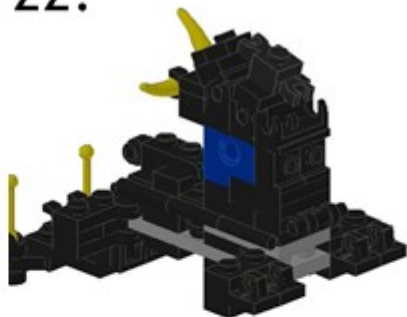
19.



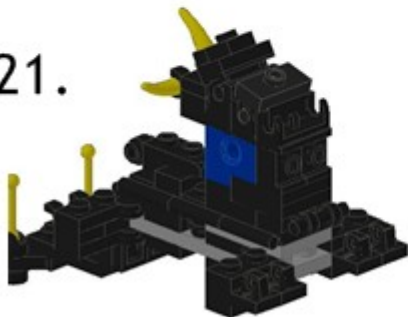
20.



22.



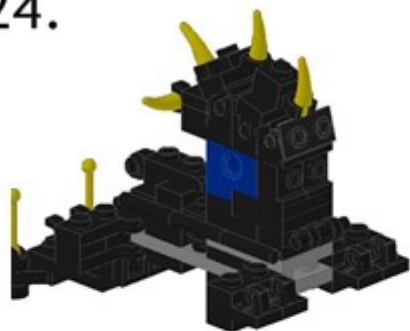
21.



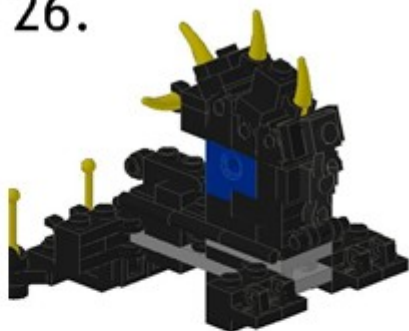
23.



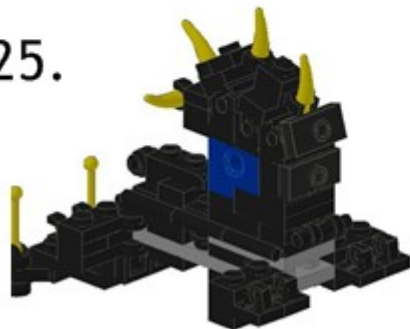
24.



26.



25.



27.



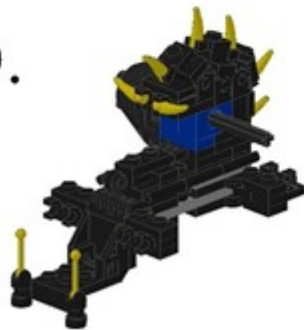
28.



30.



29.



31.





Combine all parts
and your very own
BoomBoom is ready!

Leg design loaned
from Soren Robert's
Zaku instructions.
Thanks for inspi-
ration, Soren.

© Tuomas Kukkamaa
email: TheQ@LAML.org