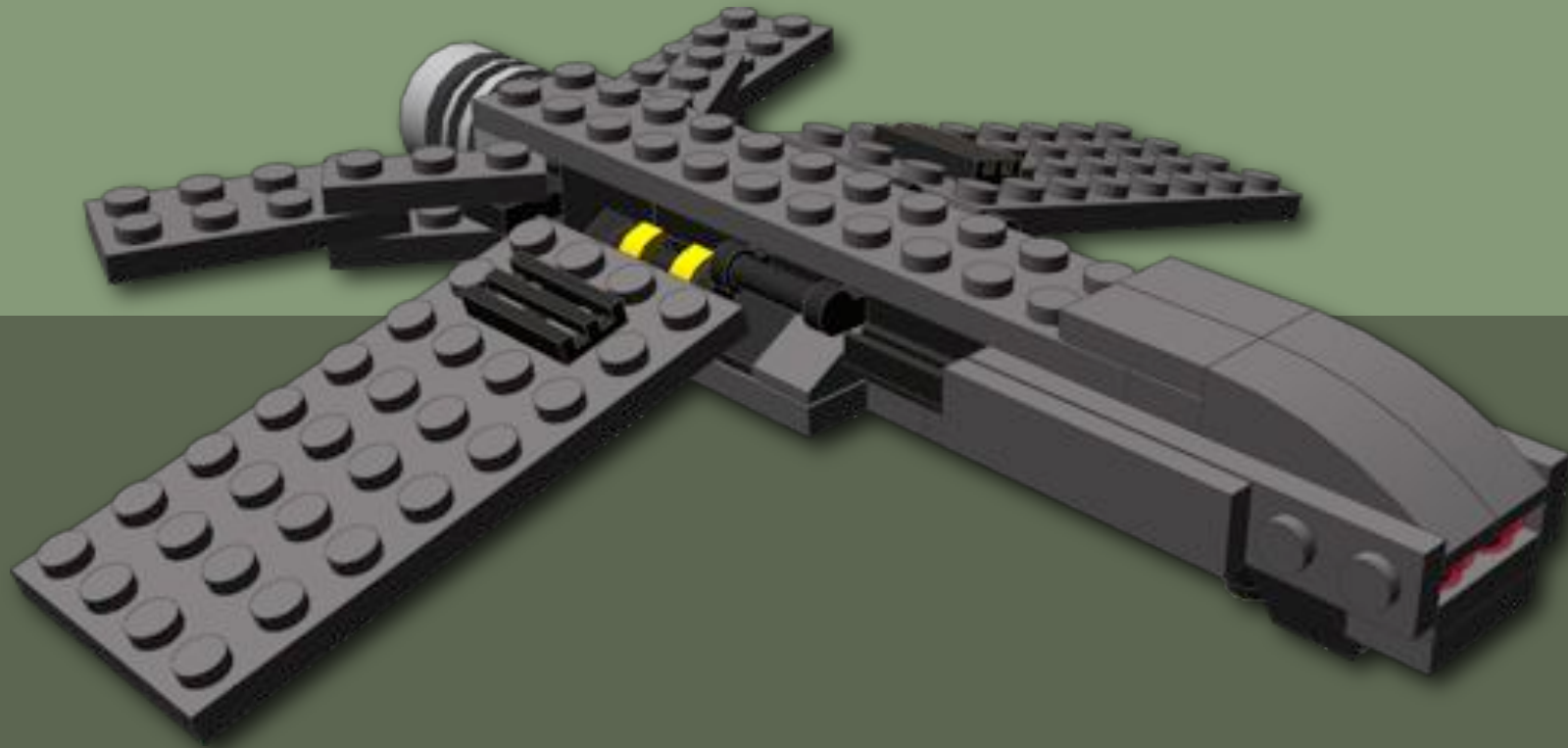


Unmanned Aerial Vehicle

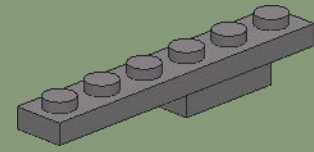
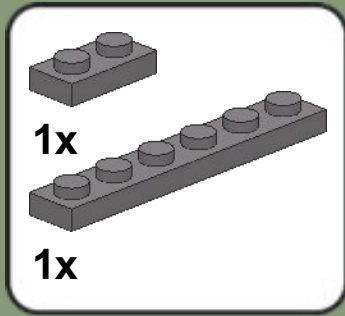


65 pieces

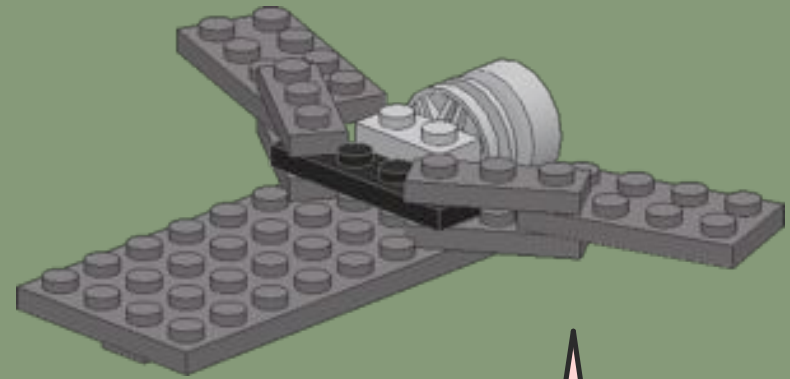
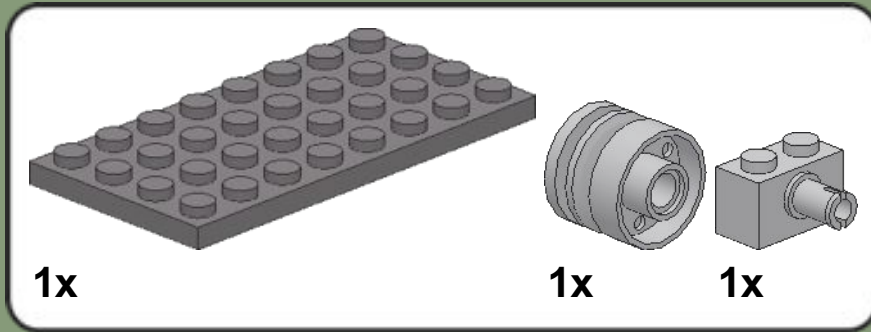
requires 4939



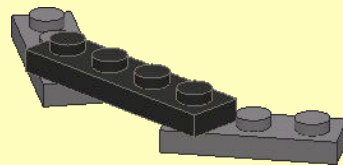
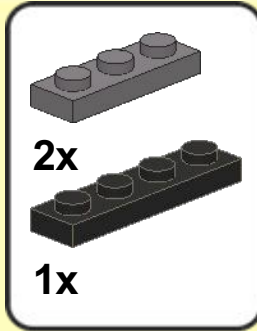
1



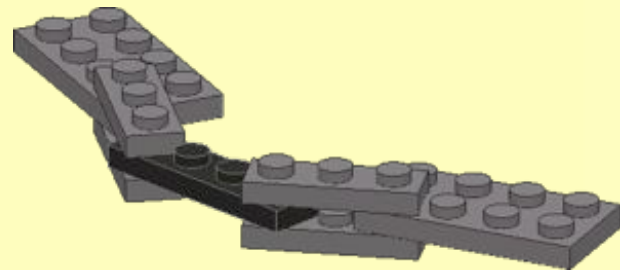
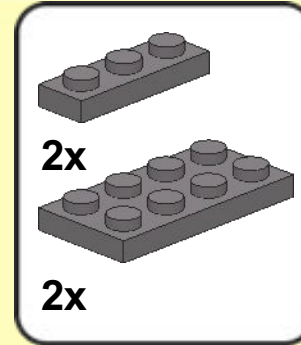
2



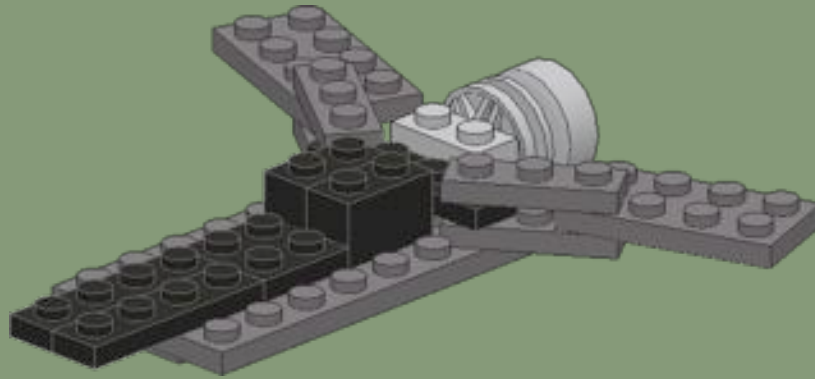
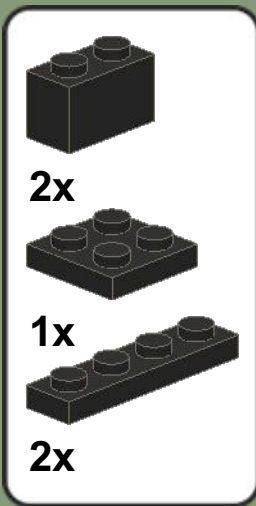
1



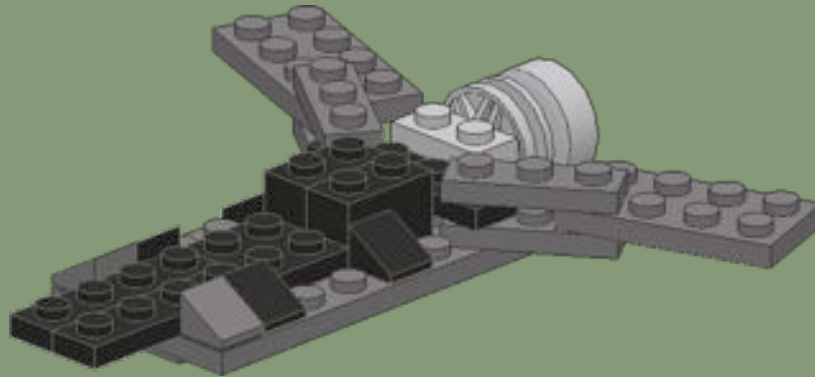
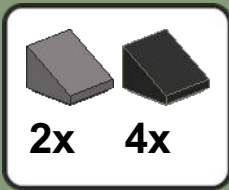
2



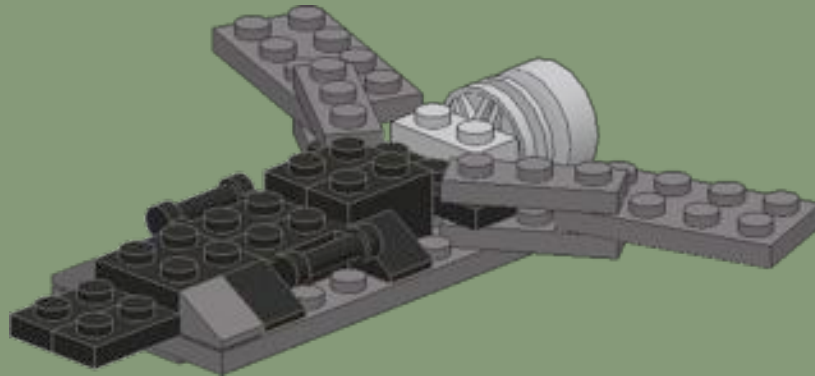
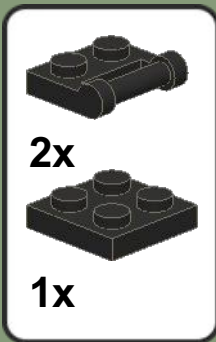
3



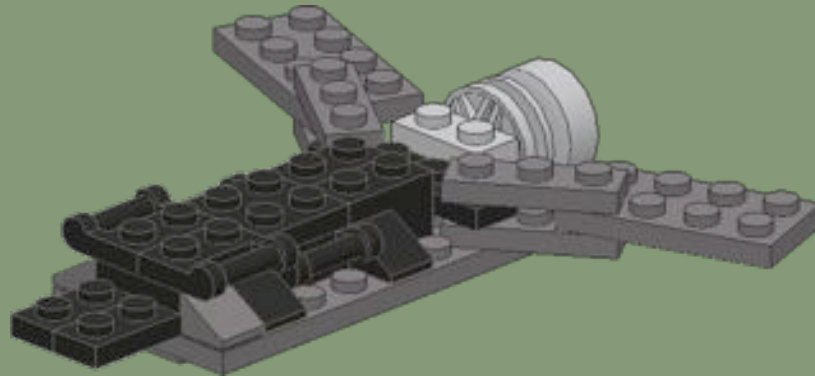
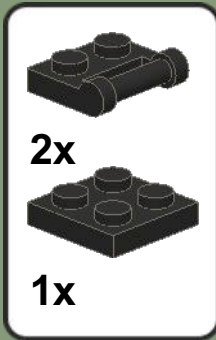
4



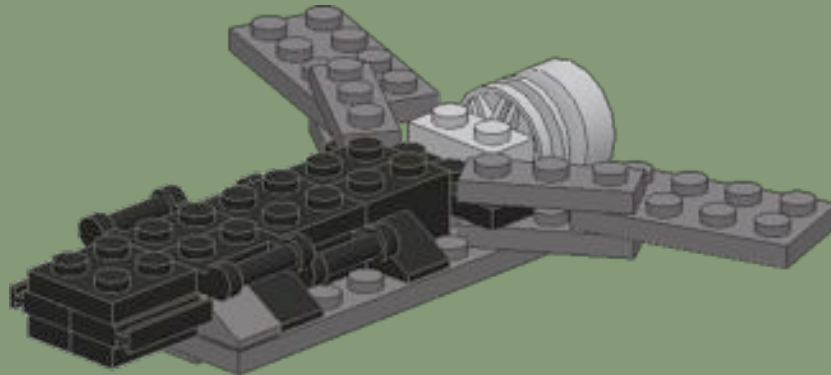
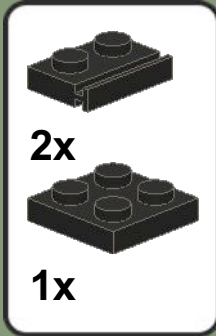
5



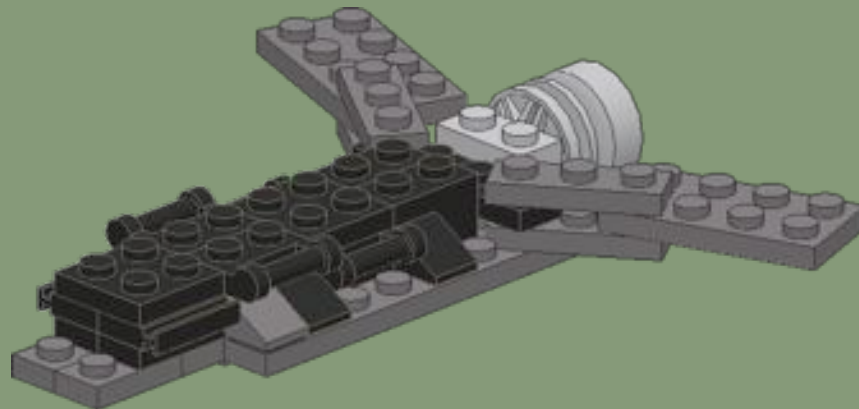
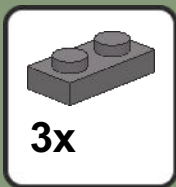
6



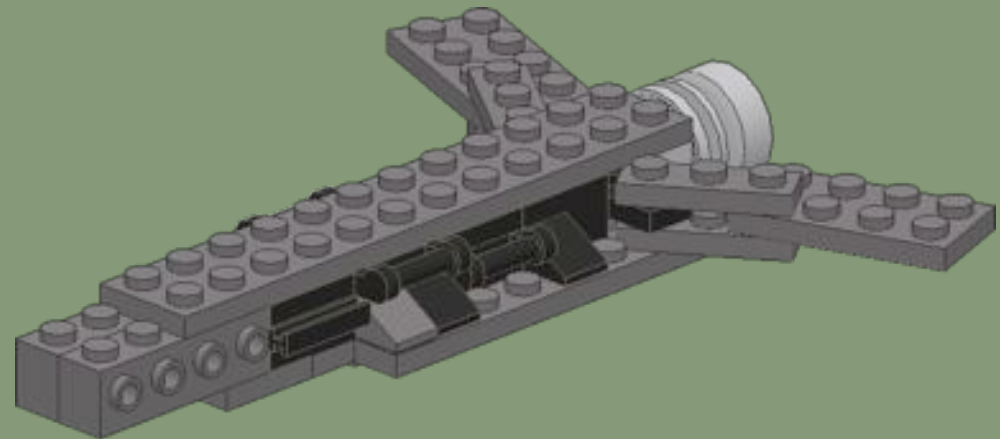
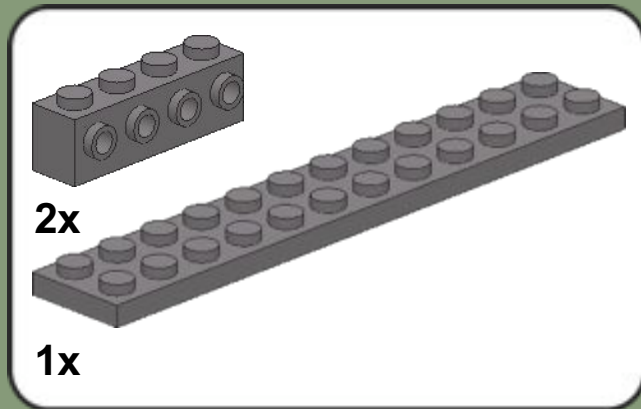
7



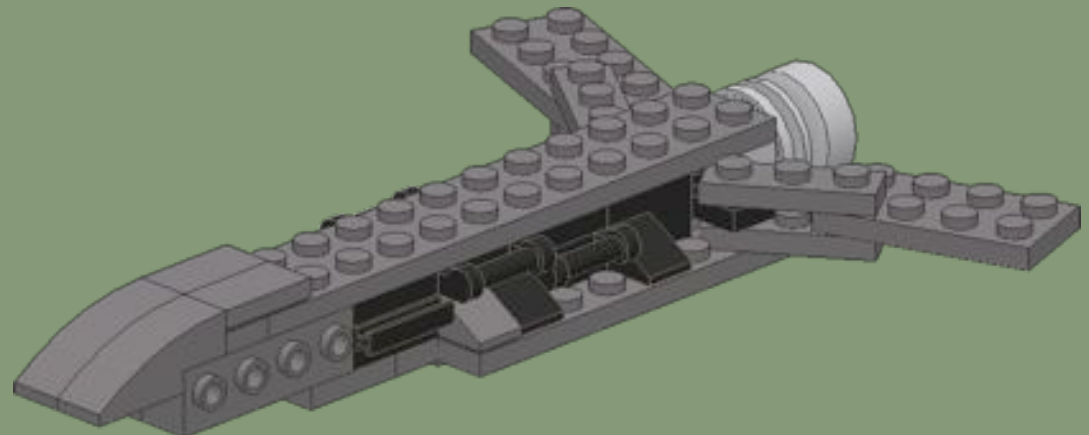
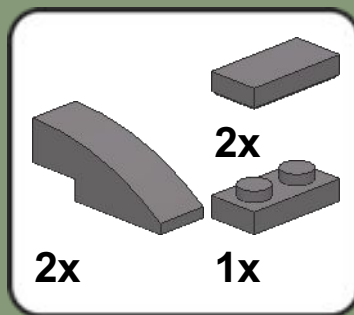
8



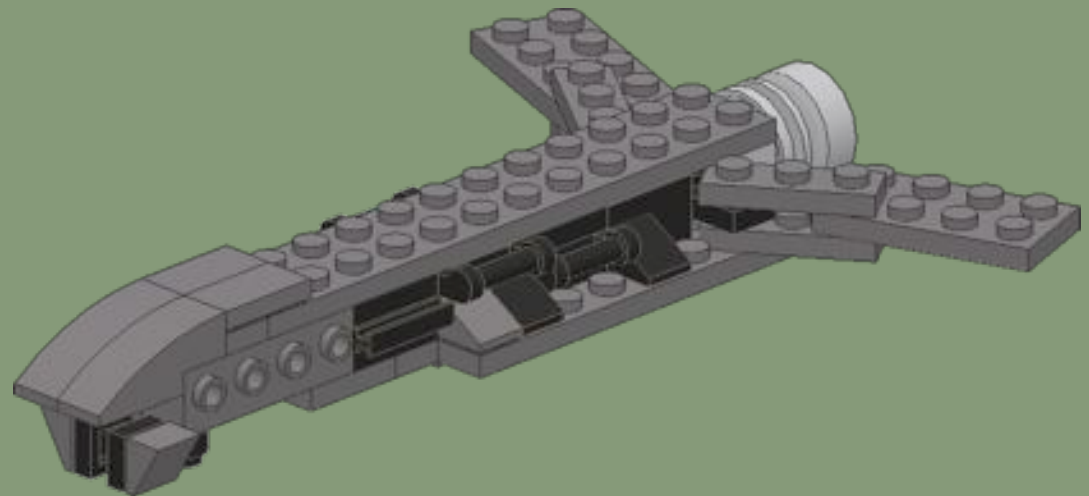
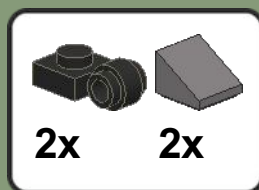
9



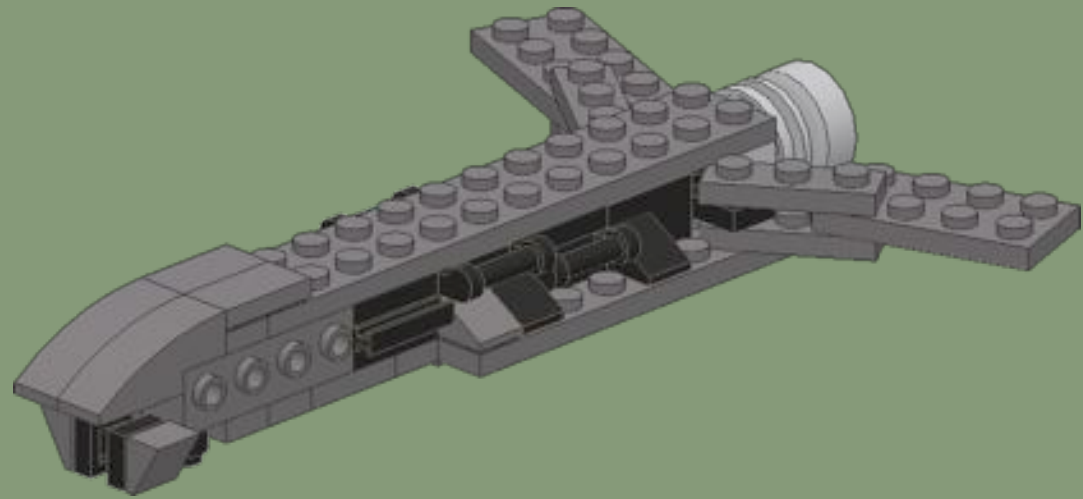
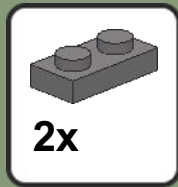
10



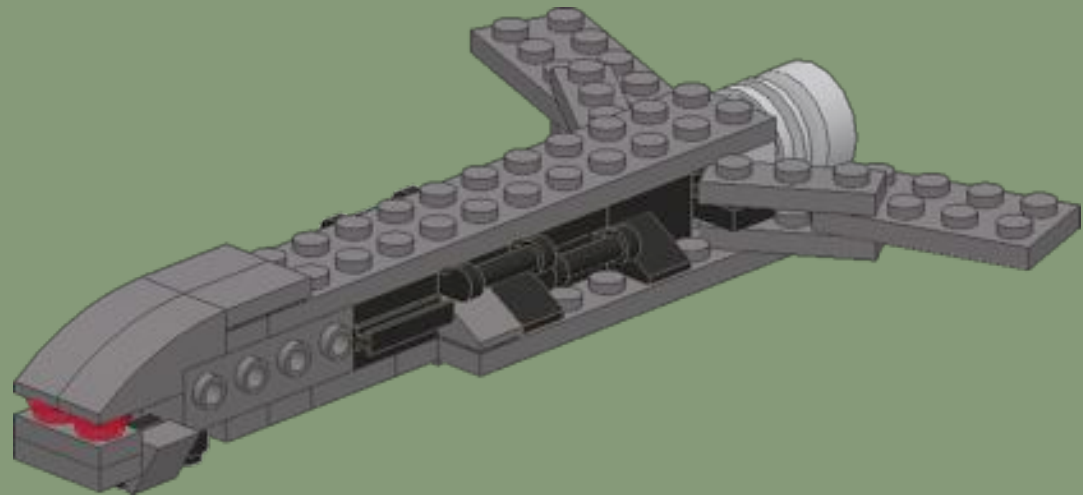
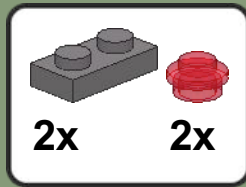
11



12



13



14

